

DUMPSTER FRAMING

MEASUREMENT

PLEASE PROVIDE EXACT MEASUREMENTS

LEFT & RIGHT.

we will deduct $-3/8"$ from your measurements.

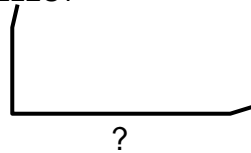
TOP & BOTTOM

we will add $6 3/4"$ for extensions, deduct $-1/4"$ from inside dimension, notch as needed from your measurements.

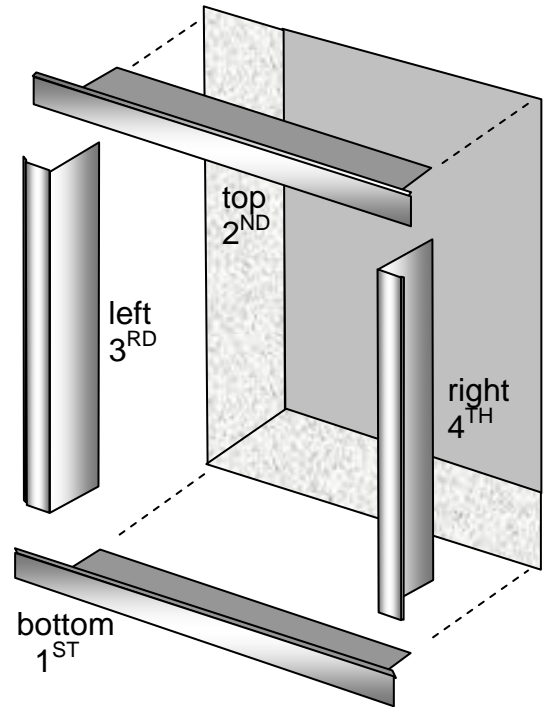
DEPTH

CHECK DEPTH & PROVIDE SMALLEST MEASUREMENT

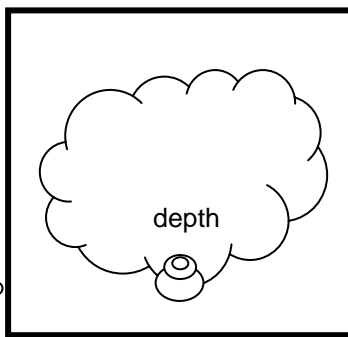
$3 1/2"$



DESIGN install bottom first, 2ND, 3RD & 4TH



1 top



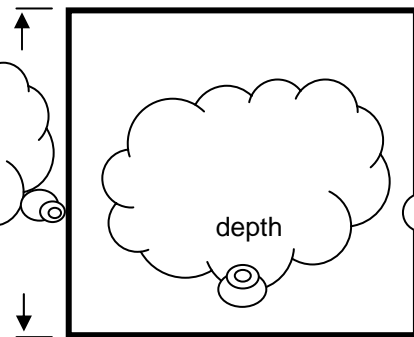
1 left

1 right

1 bottom

ENCLOSURE # 1

2 top



2 left

2 right

2 bottom

ENCLOSURE # 2